

BigFoot™ Drip Tape

“Low Flow” Series

The largest flow path of any drip tape on the market.

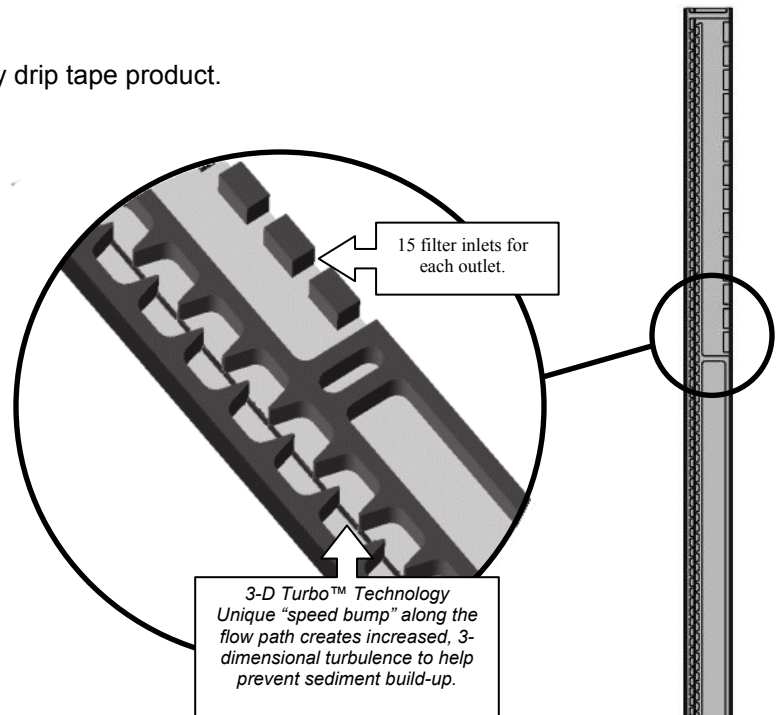
Reduced Clogging

- The biggest footprint, or turbulent flowpath of any drip tape product.

Compare flow path dimensions

| Dripper | Flow Path Dimension (in.) | | |
|--|---------------------------|-------|--------|
| | Width | Depth | Length |
| Bowsmith BigFoot 0.07 GPH | 0.020 | 0.032 | 7.9 |
| Netafim Streamline* 0.21 GPH | 0.021 | 0.020 | 0.504 |

*"Netafim" and "Streamline" are trademarks of Netafim USA



Reliable Performance

- Enhanced turbulent flow path for better emission uniformity.
- Reliable performance for increased yields.

Cost Effective

- Save on water and fertilizer costs.
- Low inlet pressure requirements save on energy costs.

| Emitter Model / Nominal Flow Rate | Wall Thickness | Maximum Operating Pressure | Inside Diameter | Dripper Spacing (in.) | Flow: GPM / 100' @ 8 PSI |
|-----------------------------------|----------------|----------------------------|-----------------|-----------------------|--------------------------|
| Low Flow 0.07 GPH @ 8 PSI | 6 mil | 10 PSI | 5/8" | 6" | .233 |
| | | | | 12" | .117 |
| | 10 mil | 15 PSI | 7/8" | 6" | .233 |
| | | | | 12" | .117 |

$C_v \leq 0.03$ Emitter exponent = 0.5

| Wall Thickness | 5/8" Coil Length (ft.) | 7/8" Coil Length (ft.) | Shipping Weight (lbs.) |
|----------------|------------------------|------------------------|------------------------|
| 6 mil | 8000 | 7000 | 70 |
| 8 mil | 6500 | 5500 | 70 |
| 10 mil | 5500 | 4250 | 70 |

Actual Emitter Size

Run Length Guidelines

BigFoot™ “Low Flow” Series Emitter Flow Rate 0.07 gph @ 8 psi

U.S. Units

5/8” Flat Terrain 10 psi Inlet Pressure

Maximum Run Length (Feet)

| Emitter Spacing | Flow (gpm/100') | EU 94% | EU 92% | EU 90% | EU 85% |
|-----------------|-----------------|--------|--------|--------|--------|
| 6” | 0.23 | 525 | 650 | 750 | 975 |
| 12” | 0.12 | 800 | 950 | 1200 | 1500 |

7/8” Flat Terrain 10 psi Inlet Pressure

Maximum Run Length (Feet)

| Emitter Spacing | Flow (gpm/100') | EU 94% | EU 92% | EU 90% | EU 85% |
|-----------------|-----------------|--------|--------|--------|--------|
| 6” | 0.23 | 925 | 1200 | 1380 | 1750 |
| 12” | 0.12 | 1450 | 1850 | 2150 | 2700 |

Metric

16mm Flat Terrain 0.69 bar Inlet Pressure

Maximum Run Length (Meters)

| Emitter Spacing | Flow (lph/100m) | EU 94% | EU 92% | EU 90% | EU 85% |
|-----------------|-----------------|--------|--------|--------|--------|
| 15 cm | 177 | 160 | 198 | 229 | 297 |
| 30 cm | 88 | 244 | 290 | 366 | 457 |

22mm Flat Terrain 0.69 bar Inlet Pressure

Maximum Run Length (Meters)

| Emitter Spacing | Flow (lph/100m) | EU 94% | EU 92% | EU 90% | EU 85% |
|-----------------|-----------------|--------|--------|--------|--------|
| 20 cm | 177 | 282 | 366 | 421 | 533 |
| 30 cm | 88 | 442 | 564 | 655 | 823 |
